

EASTRON SDM230 and SDM72DM - Commissioning

This brief installation instruction provides a quick overview of all the necessary steps. Additional information, safety instructions, references, and sources can be found in our [HelpCenter](#). The Installation instructions are only valid for the integration of the energy management system and the configuration of relevant assets. Make sure to carefully read the **safety instructions** and adhere to the **infrastructural requirements for a gridBox gateway installation**.

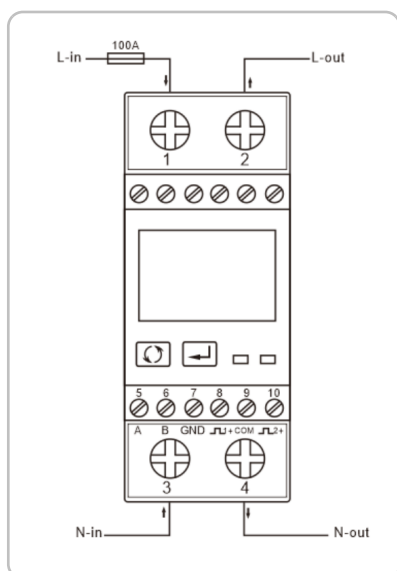
Required:

- RS485-to-USB converter (no USB converter is required for the gridBox v5)
- Note the serial number and set up password of the device for commissioning, default password: 1000.



Connection

Connection options for SDM230 ^a.



5: RS-485 A

6: RS-485 B

7: RS-485 GND

^aImage source: SDM230_Seris_Manual.pdf, p.2

^bImage source: SDM72D-M_user_manual_V1.6.pdf, p.2

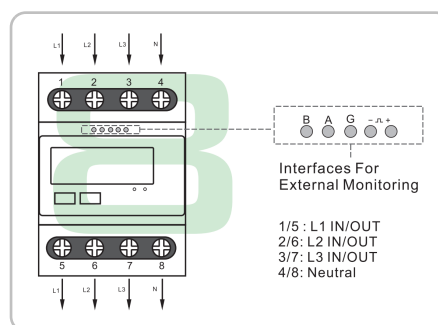
All RS-485-related connectors (A, B and G (or GND)) need to be connected with the corresponding connectors on the USB-RS-485 adapter.

Configuration

LCD display

Configure the SDM230/SDM72DM with the built-in LCD display. The display consists of the display itself and 2 buttons to control the menu.

Connection options for SDM72DM ^b.



- Use the **Enter** button to confirm the current input and access menu entries.

Figure 1. Enter button¹



- Use the **Scroll** button to switch between menu entries and change selected values.

Figure 2. Scroll button²



Set-up mode

1. After the meter is initialized, press the **Enter** button for 3 seconds to access the **Set-up Mode**.
2. Enter the password (default: 1000). Use the scroll button to change the selected number, use the enter button to move right.
3. Press the **Enter** button to confirm your selection and save the password.

RS-485 parity

Proceed as follows:

1. After entering the password to access the Set-up mode, press the **Scroll** button until the menu entry **Prty** (Parity) appears.
2. Press the **Enter** button. The selected option turns red to signalize that the menu is selected.
3. Press the **Scroll** button until the parity is set to **E** (even).
4. Confirm your selection by pressing the **Enter** button once again.

¹Image source: SDM230_Sereis_Manual.pdf

²Image source: SDM230_Sereis_Manual.pdf